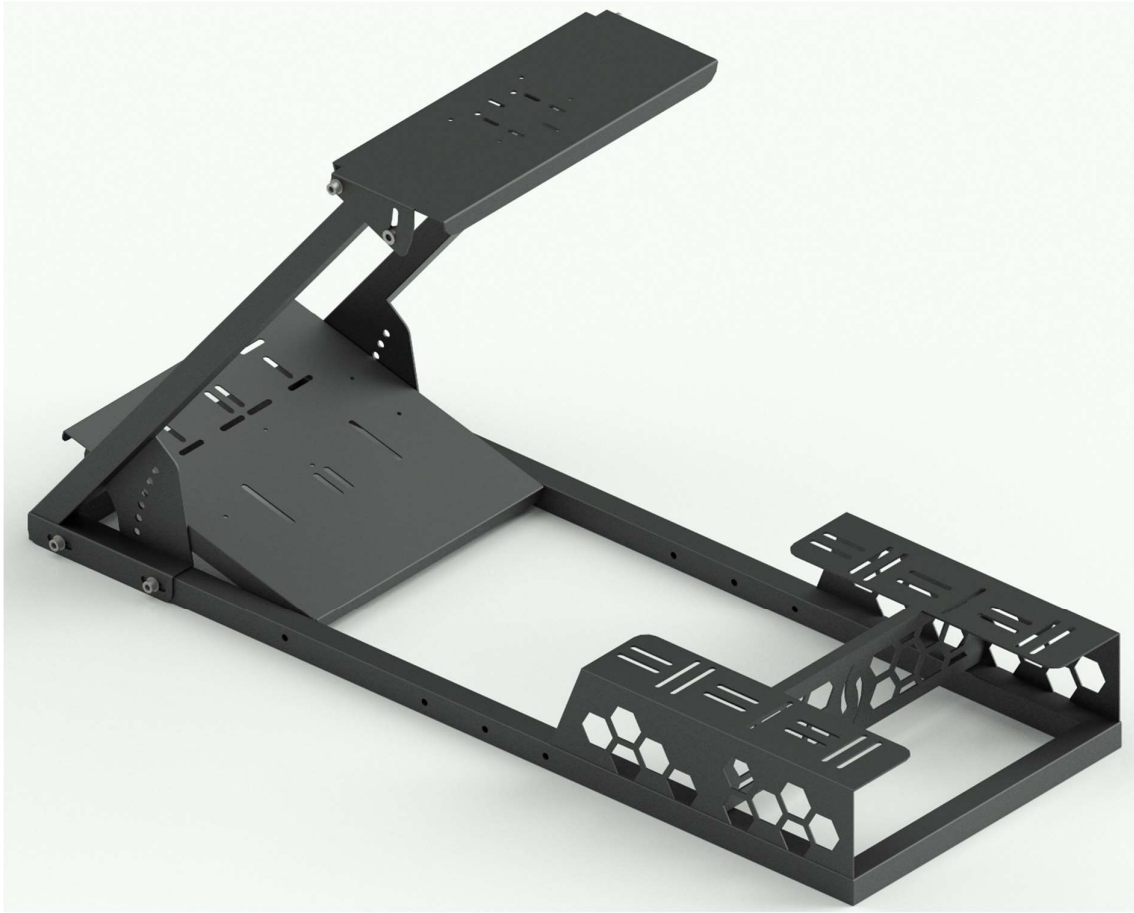


# GT RIG

ASSEMBLY GUIDE



## Requirements:

8mm Allen Key

17mm Spanner

Important note: We supply Nyloc Nuts as fasteners for the rig, they require tools to tighten beyond the plastic inserts. This prevents the fasteners from loosening over time.

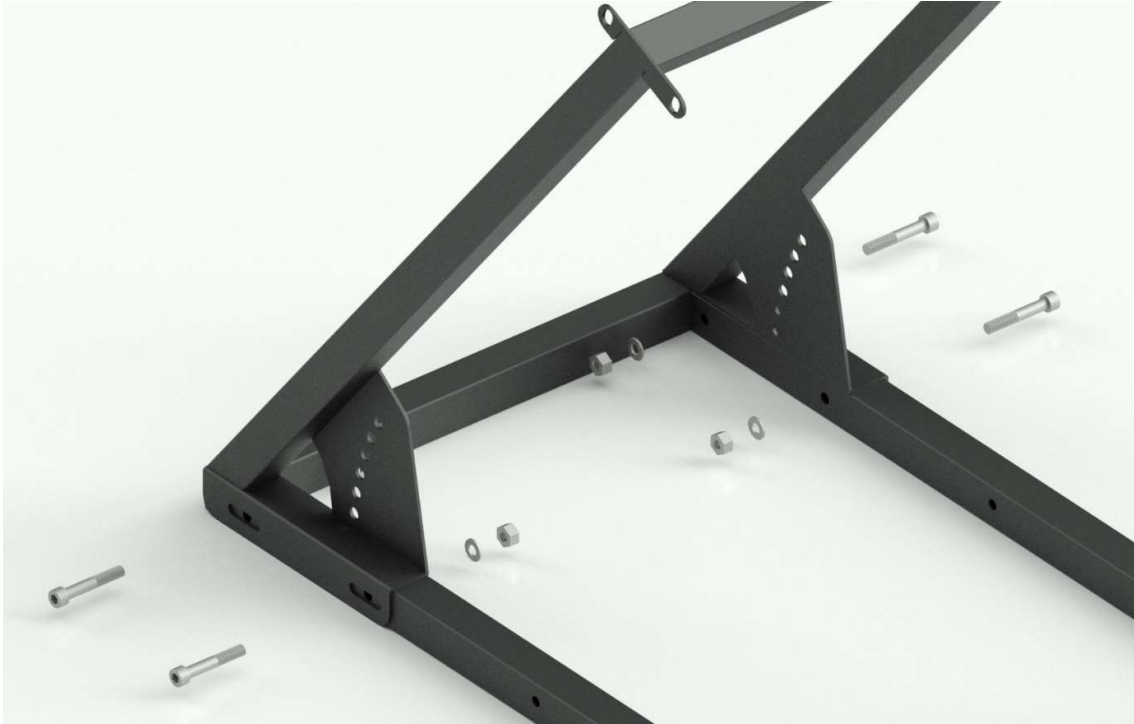


### STEP 1:

### MAIN STRUCTURE

After unboxing the rig, mount the steering section as pictured below.

Insert the bolts from the outside and add the washer and nut to the inside of the frame, do NOT tighten the bolts yet.

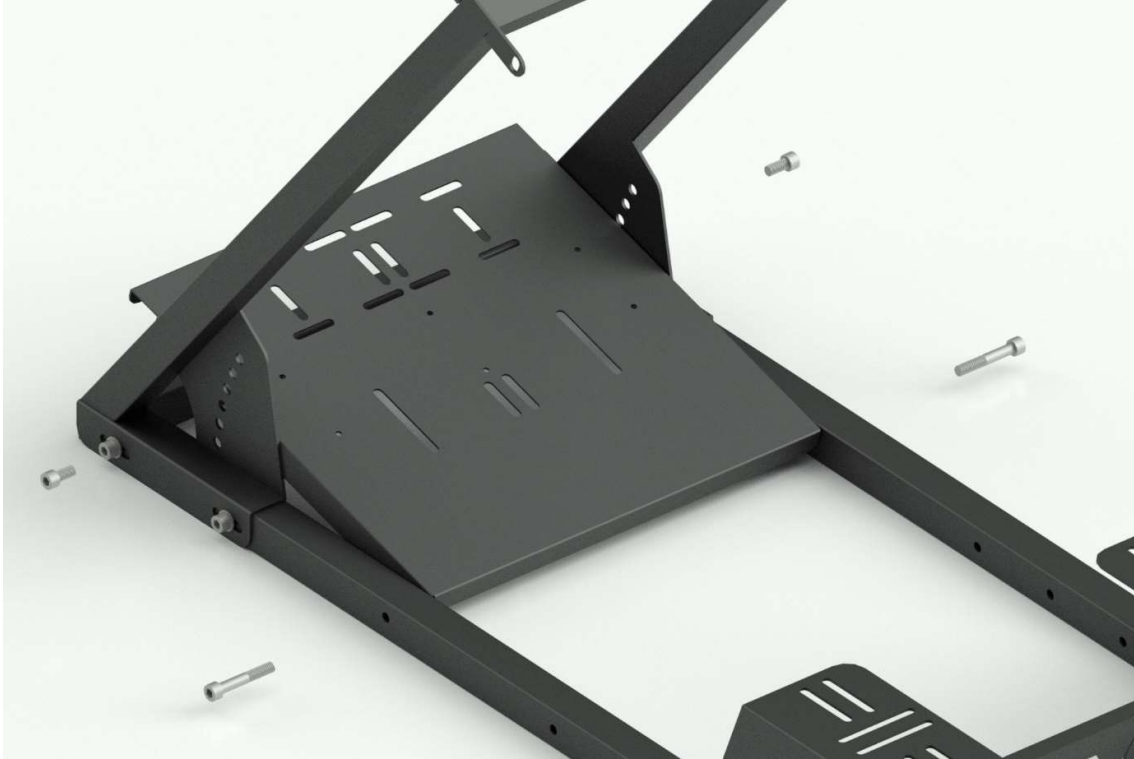


**STEP 2:**  
**PEDAL PLATE**

Add the pedal plate and insert the rear 2 bolts first, (We recommend bolting your pedals onto the pedal plate before adding the front bolts) then choose the required angle and insert the shorter bolts.

If you're not sure what angle will suit you best, set the pedal plate to its lowest position first and adjust as needed after the rig has been assembled.

You can now tighten all the bolts from step 1 and 2.



**STEP 3:**  
**WHEELBASE MOUNTING**

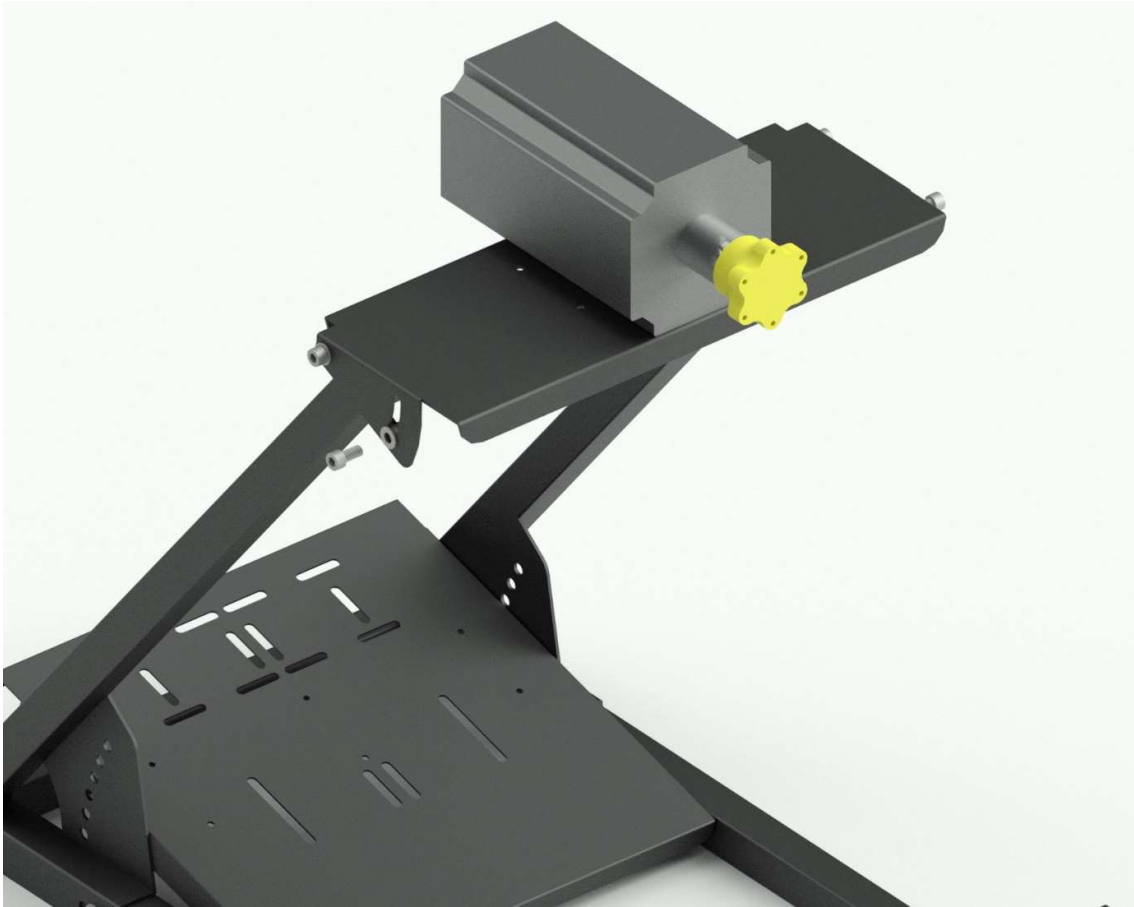
The wheelbase plate is pre mounted, remove the lower 2 bolts and lift the mounting plate as pictured below. (You can remove the entire top plate for mounting if it's more convenient).

Mount your wheelbase onto the plate.



#### STEP 4:

Return the plate back into position, readd the bolts and tighten at the required angle.



### Chair Mounting:

Due to the huge variety of seats available on the market we are unable to cater to all mounting variations, therefore we have added multiple slots into the seat mounting plates which can be used to mount your seat rails directly onto the bottom plate.

**THANK YOU FOR YOUR SUPPORT**  
**– JOOTECH TEAM**